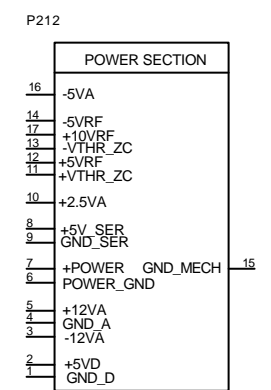
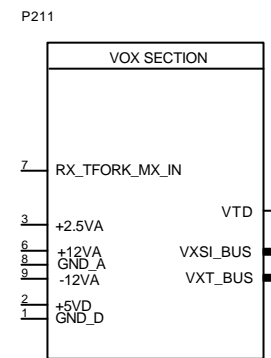
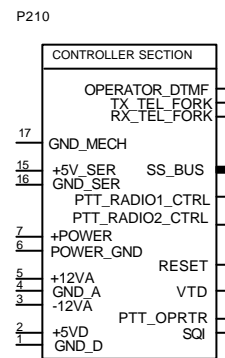
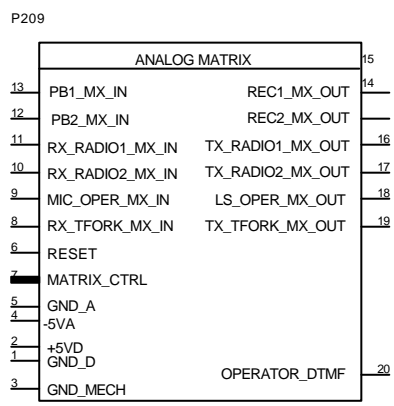
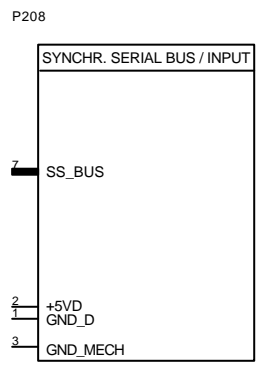
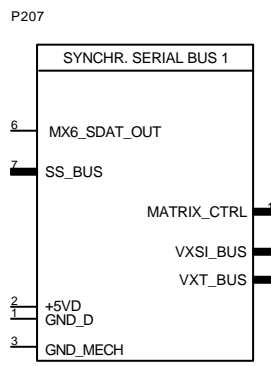
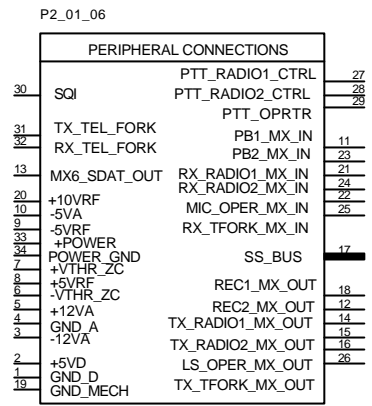


8 7 6 5 4 3 2 1

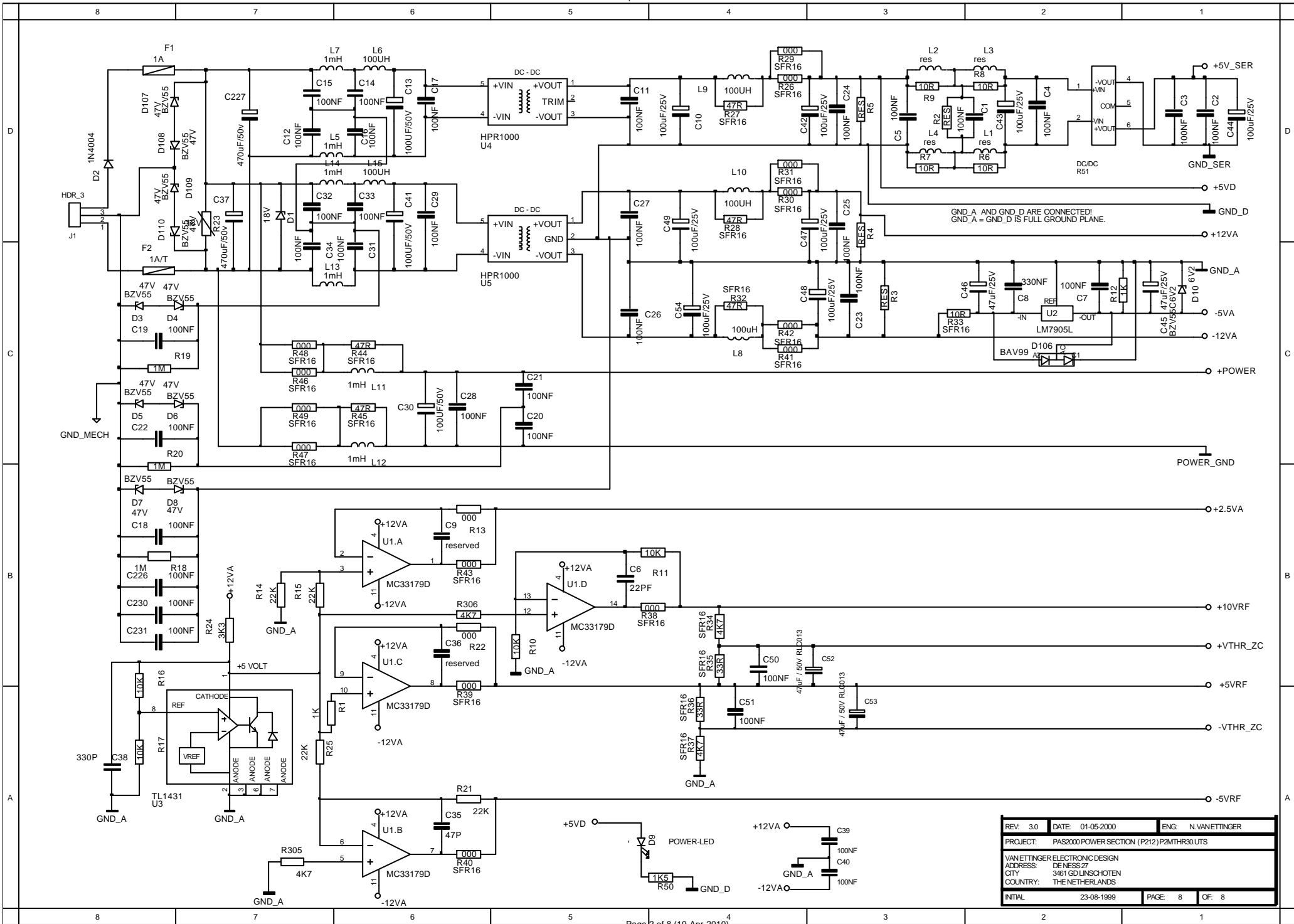


REMARKS :

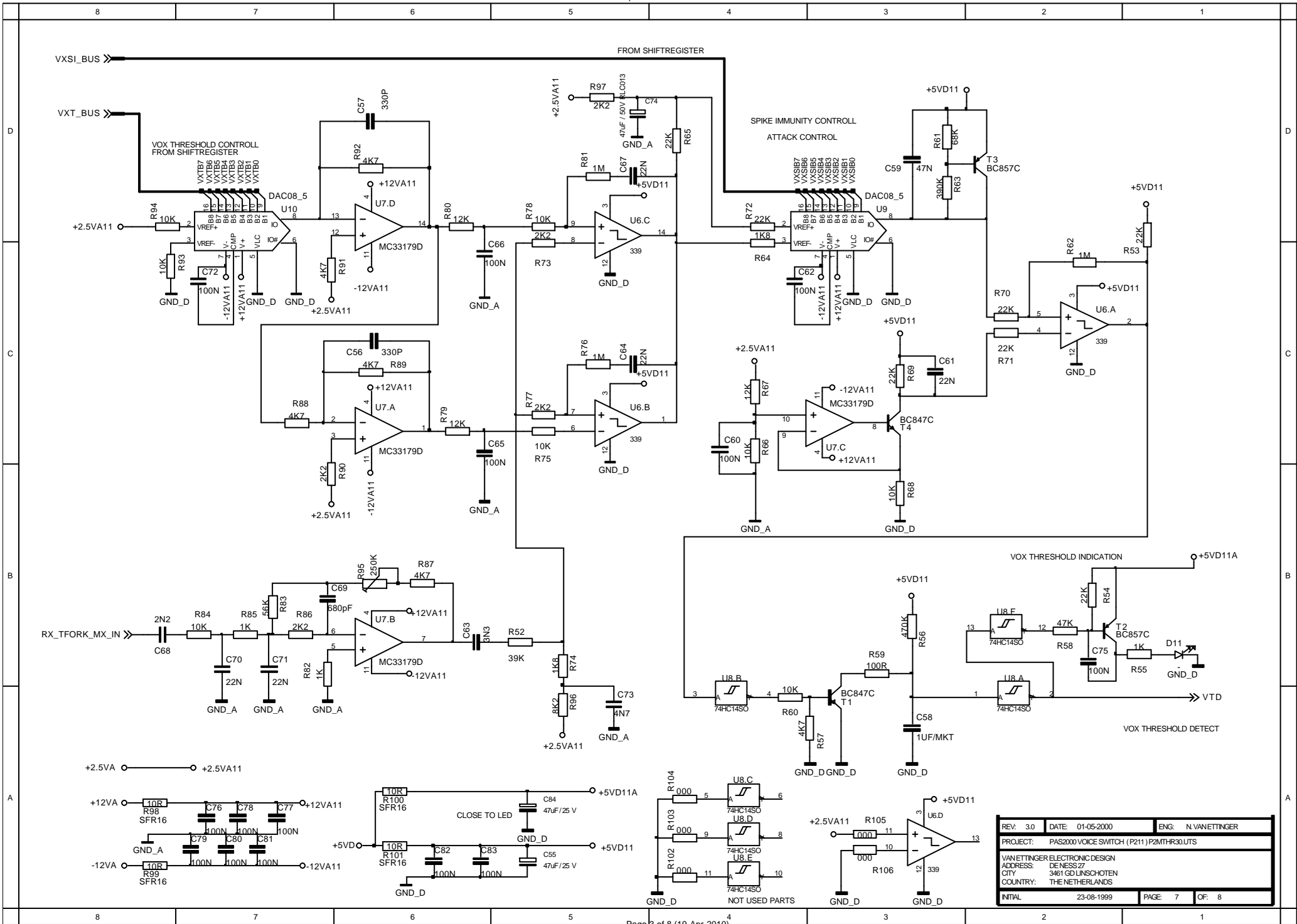
- 1) ALL ESD CAPACITORS 4N7/200V X7R , 0805 ,PHILIPS 2222 930X 6732 .
- 2) COMPONENTS WITH VALUE 'RES' OR 'RESERVED' ARE NOT MOUNTED.

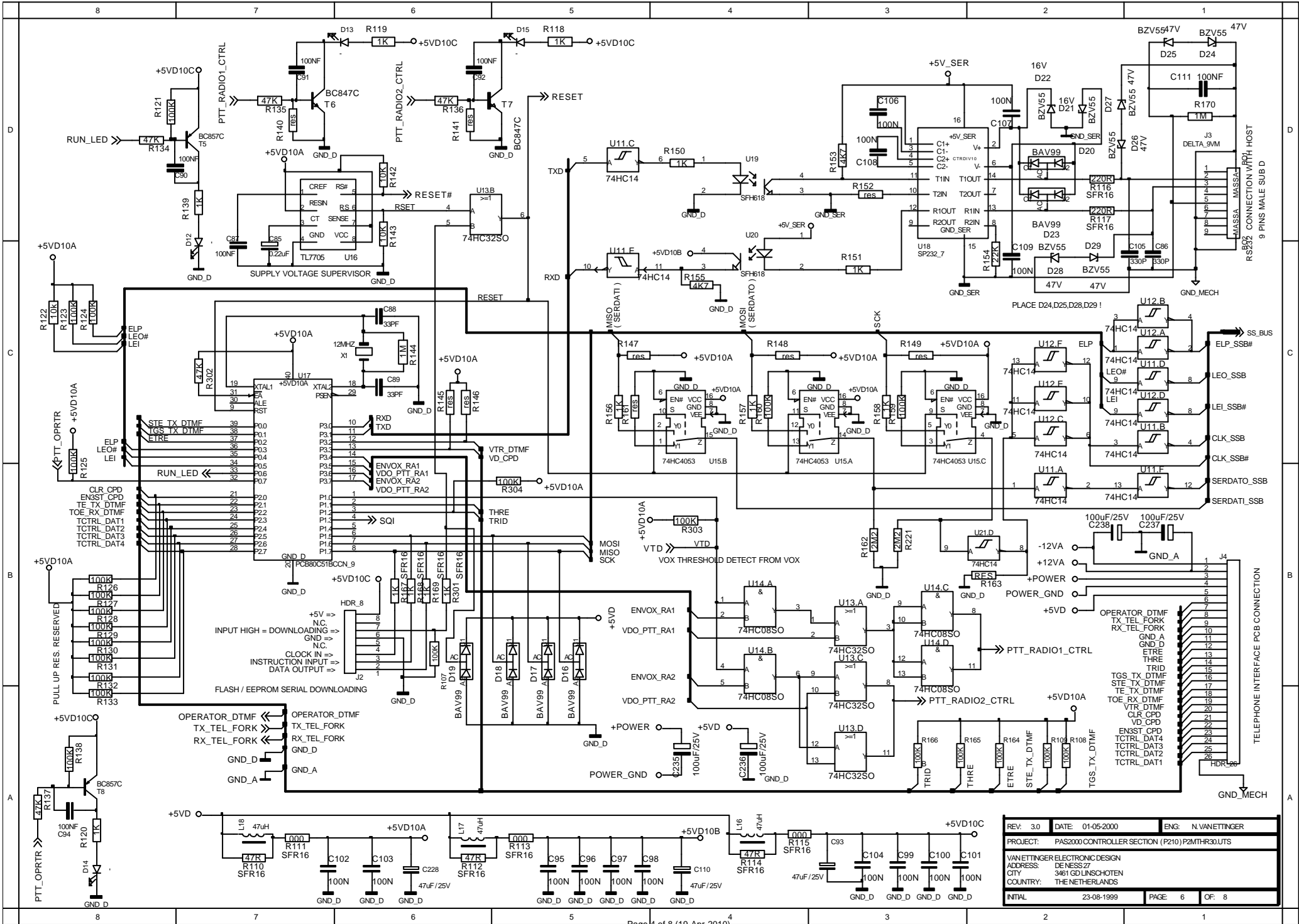
REV: 3.0	DATE: 01-05-2000	ENG: N. VAN ETTINGER
PROJECT: PAS2000 TOPSHEET ( P2MTHR30.UTS )		
VAN ETTINGER ELECTRONIC DESIGN		
ADDRESS: DE NESS 27		
CITY: 3461 GD LINSCHOTEN		
COUNTRY: THE NETHERLANDS		
INITIAL	23-08-1999	PAGE: 1 OF: 8

8 7 6 5 4 3 2 1

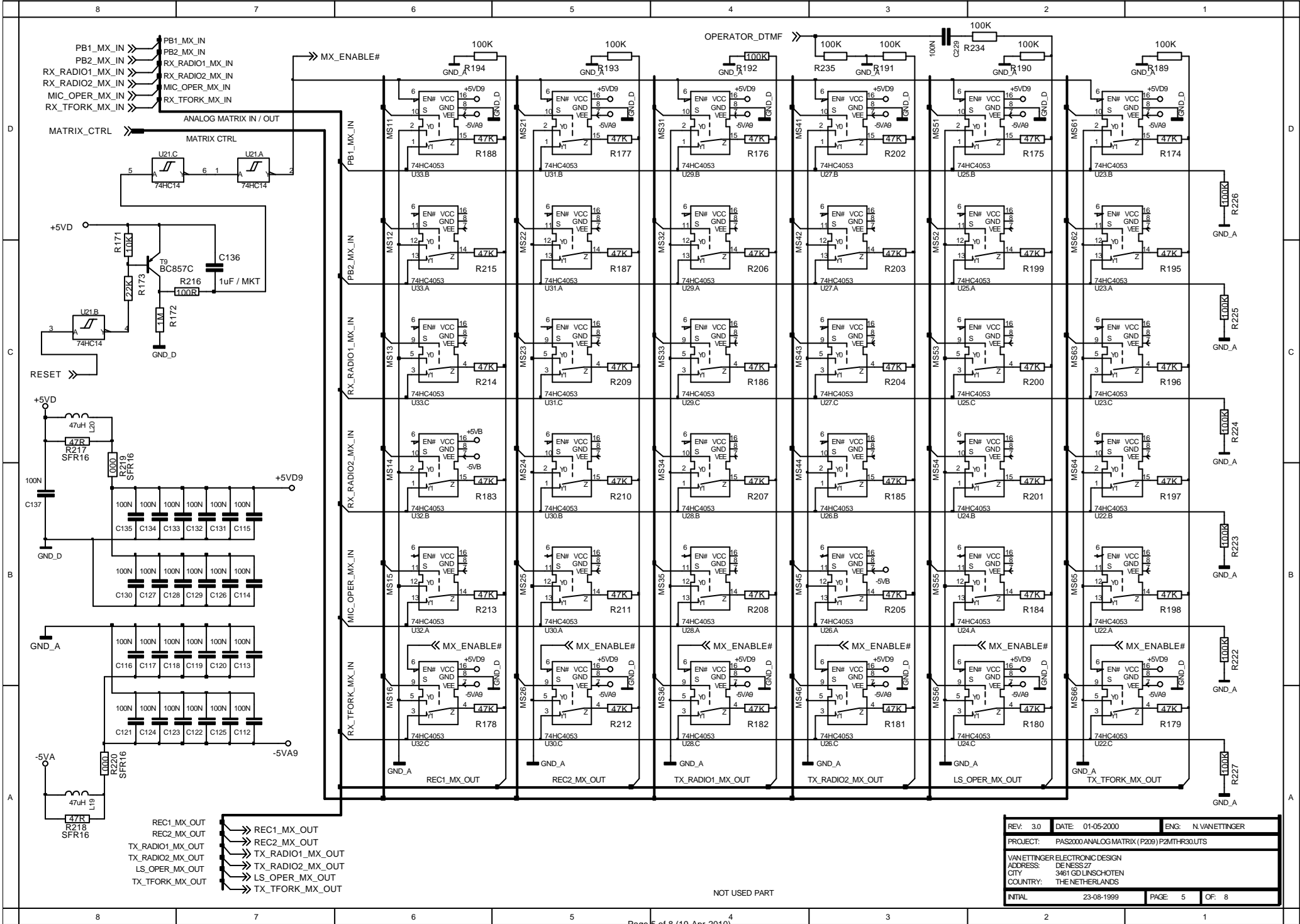


REV: 3.0	DATE: 01-05-2000	ENG: N.VANETTINGER
PROJECT: PAS2000 POWER SECTION (P212) P2MTH30.UTS		
VANETTINGER ELECTRONIC DESIGN		
ADDRESS: DENESS27		
CITY: 3461 GD LINSCHOTEN		
COUNTRY: THE NETHERLANDS		
INITIAL	23-08-1999	PAGE: 8 OF: 8



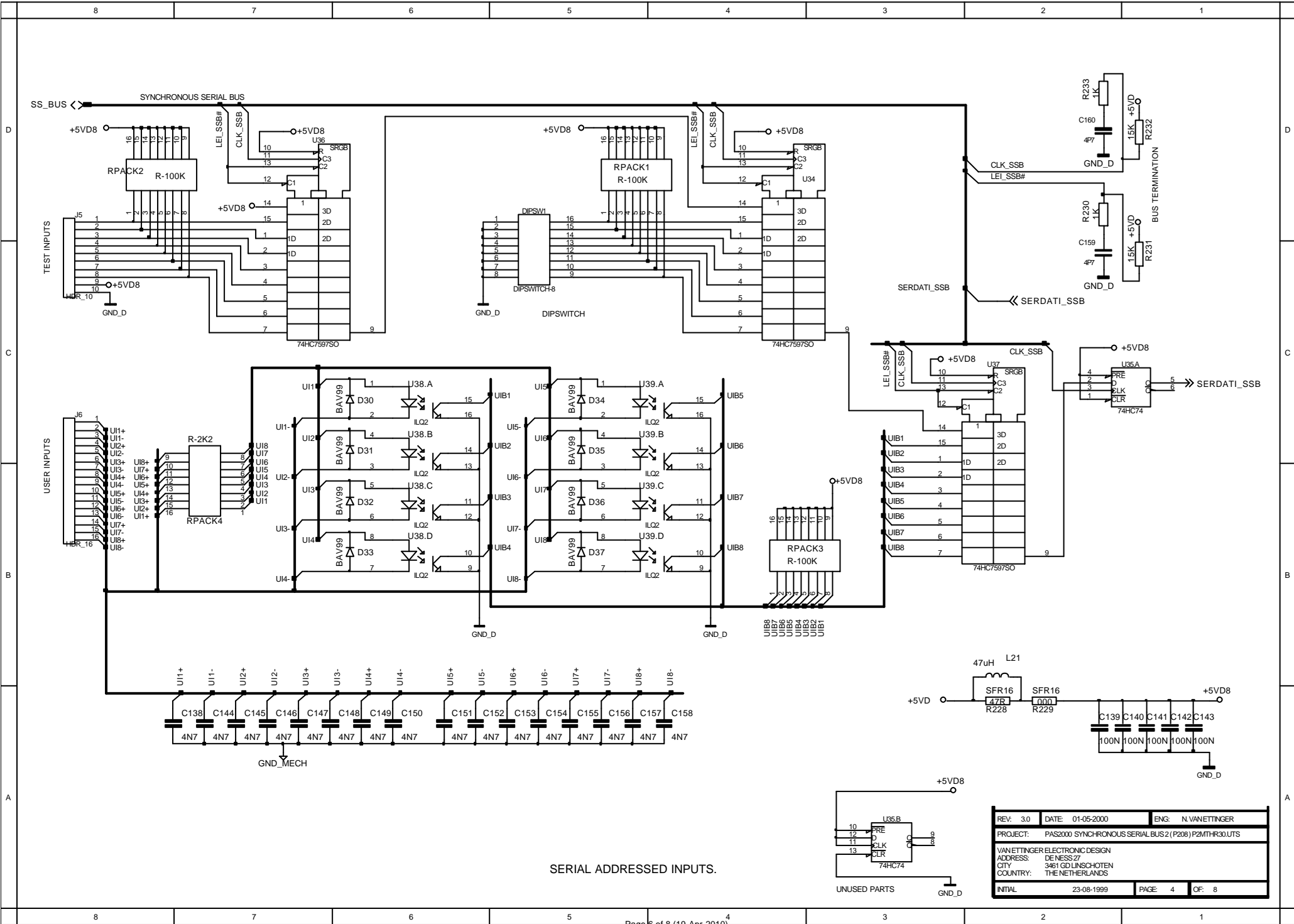


REV: 3.0	DATE: 01-05-2000	ENG: N.VANETTINGER
PROJECT: PAS2000 CONTROLLER SECTION (P210) P2MTHR30 UTS		
VANETTINGER ELECTRONIC DESIGN		
ADDRESS: DENESS27		
CITY: 3461 GD LINSCHOTEN		
COUNTRY: THE NETHERLANDS		
NTAL: 23-08-1999	PAGE: 6	OF: 8



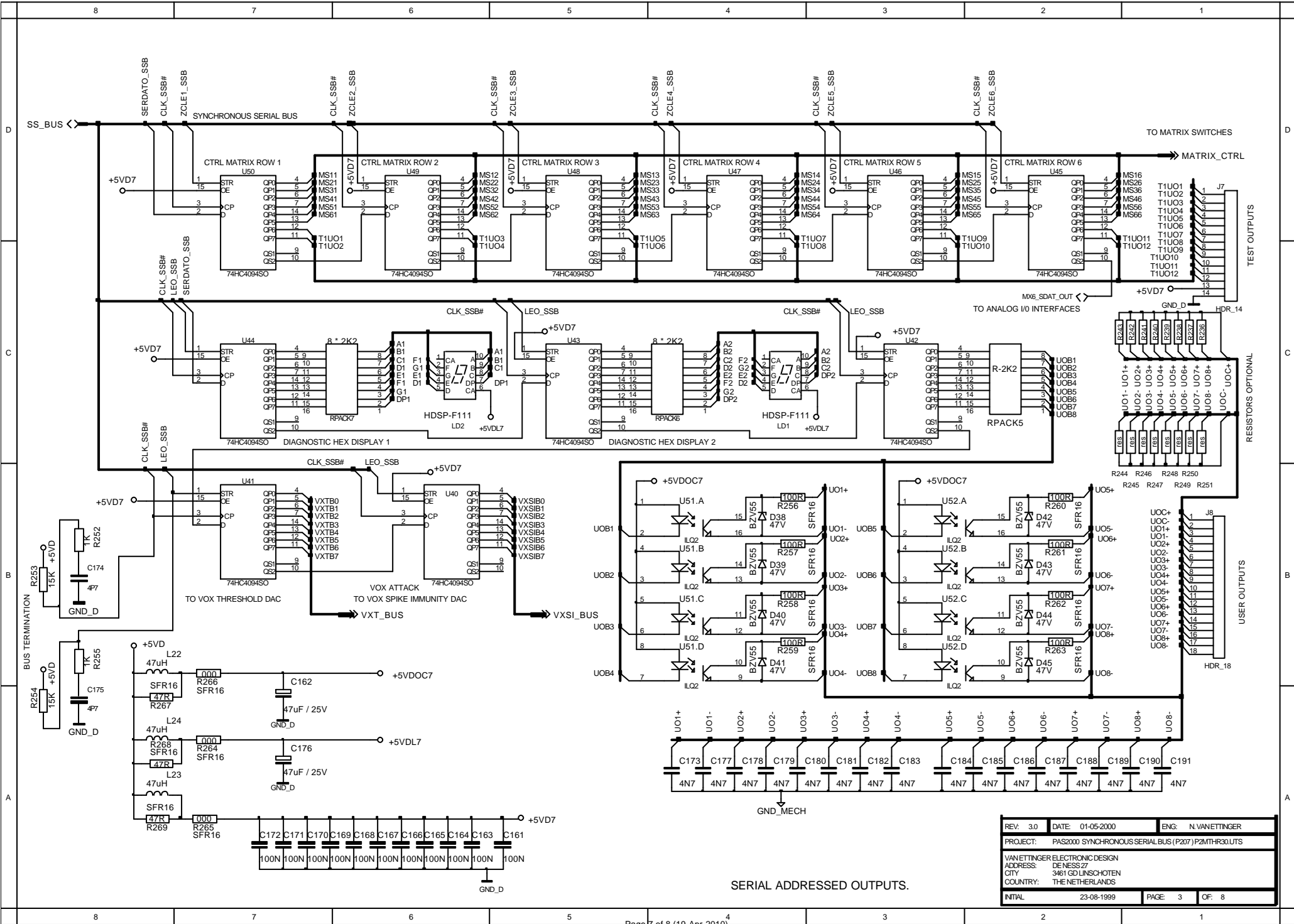
REV: 3.0	DATE: 01-05-2000	ENG: N.VANETTINGER
PROJECT: PAS2000 ANALOG MATRIX (P209) P2MTH30.UTS		
VANETTINGER ELECTRONIC DESIGN		
ADDRESS: DENESS27		
CITY: 3461 GD LINSCHOTEN		
COUNTRY: THE NETHERLANDS		
INITIAL	23-08-1999	PAGE: 5 OF: 8

NOT USED PART

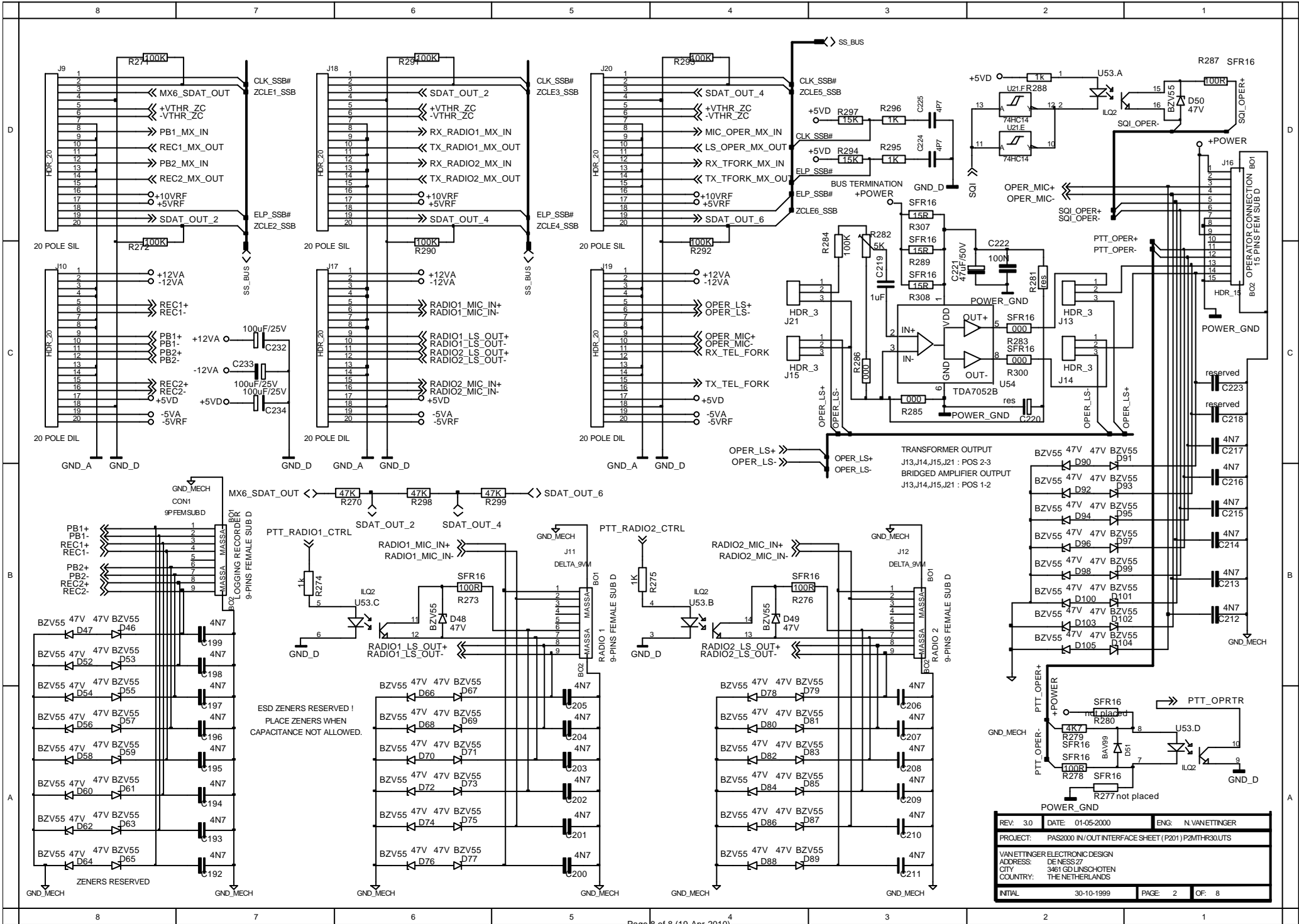


SERIAL ADDRESSED INPUTS.

REV: 3.0	DATE: 01-05-2000	ENG: N.VANETTINGER
PROJECT: PAS2000 SYNCHRONOUS SERIAL BUS 2 (P208) P2MTHR30.UTS		
VAN ETTINGER ELECTRONIC DESIGN		
ADDRESS: DENESS27		
CITY: 3461 GD LINSCHOTEN		
COUNTRY: THE NETHERLANDS		
INITIAL:	23-08-1999	PAGE: 4 OF: 8



REV: 3.0	DATE: 01-05-2000	ENG: N.VANETTINGER
PROJECT: PAS2000 SYNCHRONOUS SERIAL BUS (P207) P2MTHR30.UTS		
VANETTINGER ELECTRONIC DESIGN		
ADDRESS: DENESS27		
CITY: 3461 GD LINSCHOTEN		
COUNTRY: THE NETHERLANDS		
INITIAL	23-08-1999	PAGE: 3 OF: 8



REV: 3.0	DATE: 01-05-2000	ENG: N.VANETTINGER
PROJECT: PAS2000 IN/OUT INTERFACE SHEET (P201) P2MTHR30.UTS		
VANETTINGER ELECTRONIC DESIGN		
ADDRESS: DENESS27		
CITY: 3461 GDLINSCHOTEN		
COUNTRY: THE NETHERLANDS		
INITIAL	30-10-1999	PAGE: 2 OF: 8