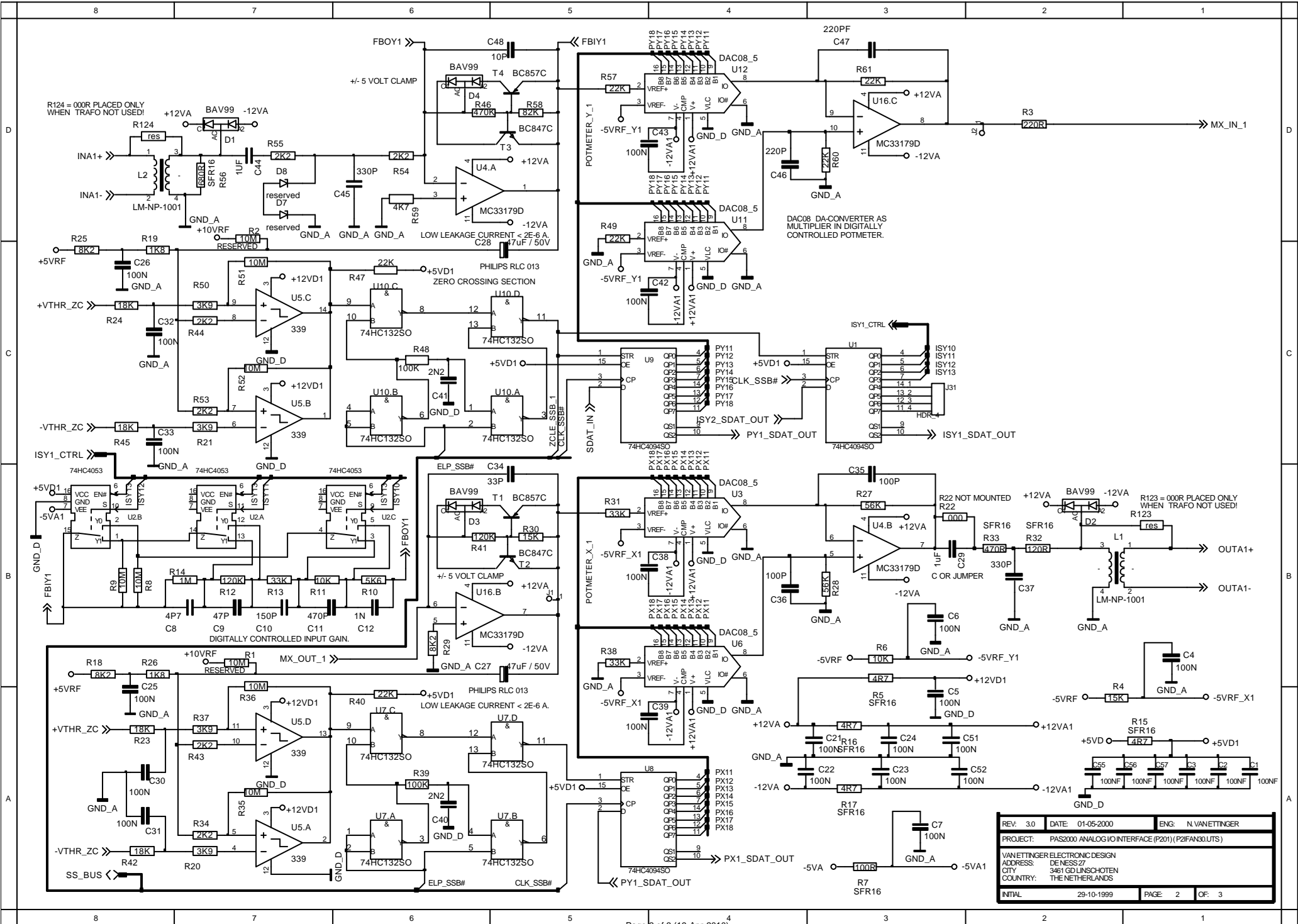
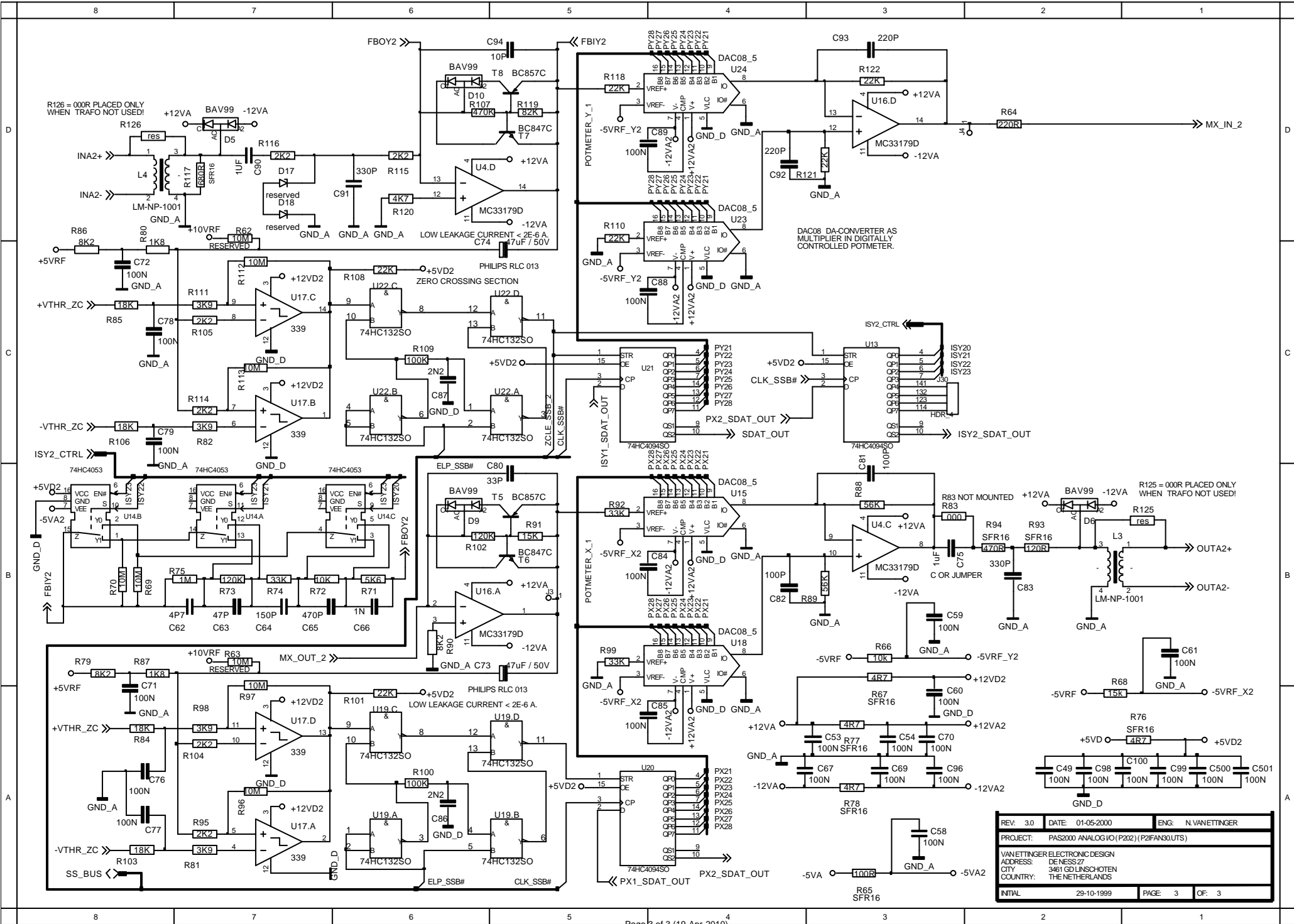


REMARK : COMPONENTS WITH VALUE 'RESOR 'RESERVED' ARE NOT MOUNTED.

|  |                  |                      |
|--|------------------|----------------------|
| REV: 3.0   | DATE: 01-05-2000 | ENG: N. VAN ETTINGER |
| PROJECT: PAS2000 ANALOG I/O INTERFACE ( P2IFAN30.UTS ) |                  |                      |
| VAN ETTINGER ELECTRONIC DESIGN                         |                  |                      |
| ADDRESS: DE NESS 27                                    |                  |                      |
| CITY: 3461 GD LINSCHOTEN                               |                  |                      |
| COUNTRY: THE NETHERLANDS                               |                  |                      |
| INITIAL  | 29-10-1999       | PAGE: 1 OF: 3        |



|   |                  |                    |
|---|------------------|--------------------|
| REV: 30   | DATE: 01-05-2000 | ENG: N.VANETTINGER |
| PROJECT: PAS2000 ANALOGIO INTERFACE (P201) (P2IFAN30.UTS) |                  |                    |
| VANETTINGER ELECTRONIC DESIGN                             |                  |                    |
| ADDRESS: DE NESS 27                                       |                  |                    |
| CITY: 3461 GD LINSCHOTEN                                  |                  |                    |
| COUNTRY: THE NETHERLANDS                                  |                  |                    |
| INITIAL   | 29-10-1999       | PAGE: 2 OF: 3      |



|  |                  |                    |
|--|------------------|--------------------|
| REV: 30  | DATE: 01-05-2000 | ENG: N.VANETTINGER |
| PROJECT: PAS2000 ANALOG IO (P202) (P2IFAN30.UTS) |                  |                    |
| VAN ETTINGER ELECTRONIC DESIGN                   |                  |                    |
| ADDRESS: DE NESS 27                              |                  |                    |
| CITY: 3461 GD INSCHOTEN                          |                  |                    |
| COUNTRY: THE NETHERLANDS                         |                  |                    |
| INITIAL  | 29-10-1999       | PAGE: 3 OF: 3      |